

# iCOOK COMPACT 6 GN 2/3 | 6 GN 1/1 | 10 GN 1/1 | 6 GN 1/1 T

## TECHNICAL SPECIFICATIONS



	iCOOK COMPACT 6 GN 2/3	iCOOK COMPACT 6 GN 1/1	iCOOK COMPACT 10 GN 1/1	iCOOK COMPACT 6 GN 1/1 T
GN Capacity Depth 20 mm / Depth 40 mm / Depth 65 mm (Multilevel guides)	12 / 6 / 4 x 2/3 GN	12 / 6 / 4 x 1/1 GN	20 / 10 / 7 x 1/1 GN	12 / 6 / 4 x 1/1 GN
Distance between GN guides (mm)	50	50	50	50
Recommended for (n) servings per day	20-80	30-100	50-150	30-100
Maximum temperature (°C)	300	300	300	300
Dimensions (width x depth x height) (mm)	520 x 692 x 625	520 x 847 x 625	520 x 847 x 800	760 x 644 x 625
Weight (kg)	60	72	89	76
Packaging dimensions (width x depth x height) (mm)	680 x 795 x 894	580 x 970 x 894	580 x 970 x 1057	802 x 765 x 894
Gross weight (kg)	70	82	99	86
Power (kW)	6,3	7,3	12,6	7,3
Voltage (V/Ph/Hz)	230/L+N/50-60 230/3L/50-60 400/3L+N/50-60	230/L+N/50-60 230/3L/50-60 400/3L+N/50-60	230/3L/50-60 400/3L+N/50-60	230/L+N/50-60 230/3L/50-60 400/3L+N/50-60
Water	R ¾"	R ¾"	R ¾"	R ¾"
Drainage	DN 40	DN 40	DN 40	DN 40
Water pressure (kPa)	150 - 400	150 - 400	150 - 400	150 - 400

## GENERAL SPECIFICATIONS

10-Inch TFT touch screen with Wi-Fi connection  
 Humidity, temperature, time and fan speed regulation  
 3 cooking modes:
 

- Convection from 30°C to 280°C
- Mixed from 30°C to 280°C
- Steam from 30°C to 130°C

 MultiSteam. Patented dual steam injection technology  
 SmartClima Plus. Intelligent sensor system that adjusts the energy and humidity in the chamber according to the type and quantity of food  
 SmartWind. 4 turbine speeds and turbine's rotation direction  
 DryOut Plus. Active extraction of humidity from the cooking chamber  
 Preheat & Cooldown. Automatic pre-heating or cooling of the cooking chamber  
 400 Programmes + 10 Cooking phases in each programme  
 MyCloud. View the cooking status, create and save recipes from anywhere and send them to your oven from your smartphone or tablet  
 Multipoint internal probe  
 LED chamber illumination  
 Highly resistant AISI 304 18/10 stainless steel cooking chamber fully welded with rounded edges and integrated drainage  
 Multilevel GN guides  
 Visible and audible cooking completion alert  
 Fan stop when door is opened  
 Low-emissivity Triple-Glass Door  
 Door opening positioner  
 Door and frame rainwater collection system with drainage  
 MyCare. Intelligent automatic cleaning system (4 levels + rinse)  
 Integrated syphon  
 USB connection  
 Handle and plastic components feature anti-bacterial treatment  
 Ingress Protection IPX4

## OPTIONS

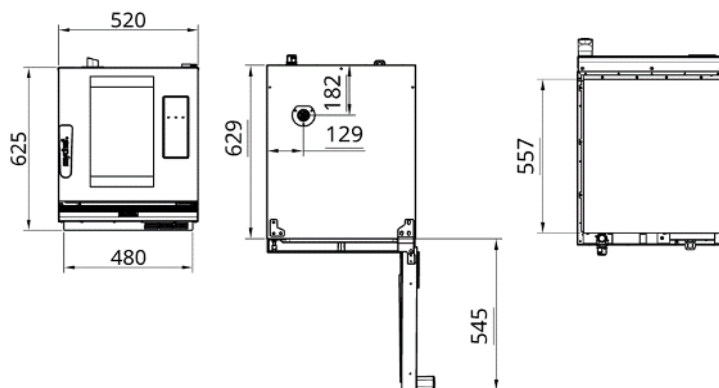
Door opening on the left hand side  
 TSC (Thermal Stability Control)

## ACCESSORIES

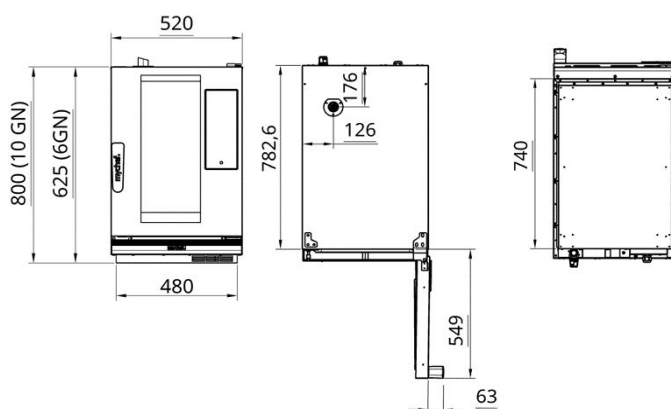
Special trays for each baking  
 UltraVioletSteam  
 Hydraulic installation kit  
 Stacking kit + 2 hydraulic installation kit  
 Softening Kit  
 Decalcifying cartridge  
 Drainage cooling kit  
 Support with GN 1/1 L/T  
 Stacked-type base  
 Adjustable leg kit  
 Cleaning shower kit  
 Steam condensation hood  
 Frontal steam condensation hood  
 Frontal steam condensation and odour hood with carbon filter  
 Kit for external connection of magnetic probe  
 CleanDuo  
 MySmoker  
 Carbon filter for the Frontal steam condensation and odour hood with carbon filter

## INSTALLATION DETAILS

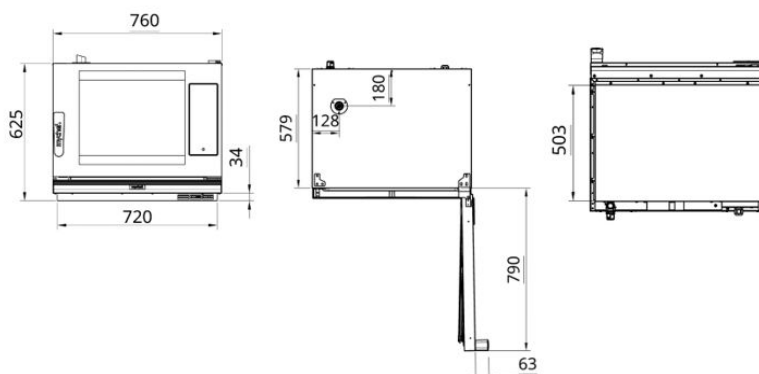
### iCOOK COMPACT 6 GN 2/3



### iCOOK COMPACT 6 GN 1/1 - 10 GN 1/1

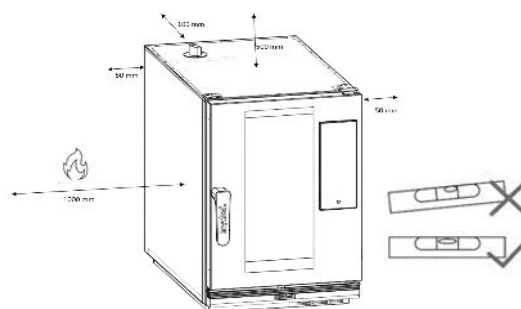


### iCOOK COMPACT 6 GN 1/1 T

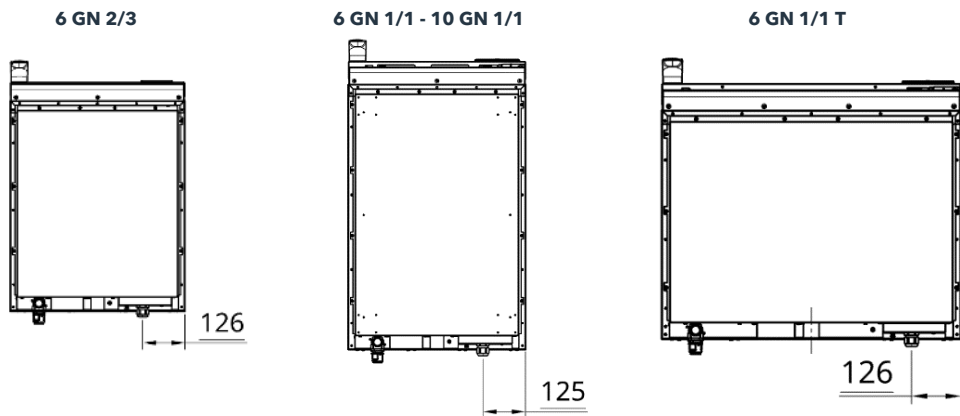


## SAFETY DISTANCES

- Sides = 50 mm
- Rear = 100 mm
- Upper = 500 mm
- Heat sources = 1000 mm
- It must be completely level

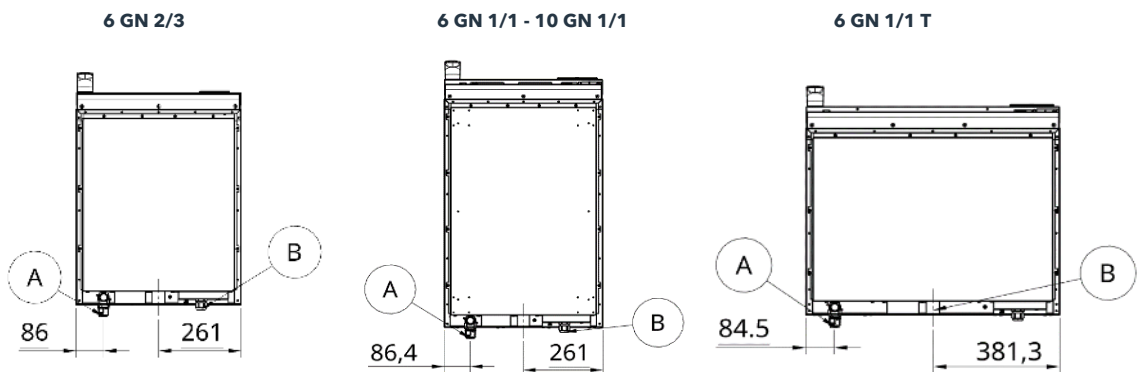


## ELECTRICAL SUPPLY



Model	Voltage	Power (kW)	Rated current (A)	Wire Type
6 GN 2/3	230/ L+N /50-60	6,3	27,4	H07RN-F 3G 4.0
	230/3L/50-60	6,3	17,3	H07RN-F 3G 2.5
	400/3L+N/50-60	6,3	10,0	H07RN-F 5G 1.5
6 GN 1/1	230/ L+N /50-60	7,3	31,7	H07RN-F 3G 4.0
	230/3L/50-60	7,3	19,8	H07RN-F 3G 2.5
	400/3L+N/50-60	7,3	11,4	H07RN-F 5G 1.5
10 GN 1/1	230/3L/50-60	12,6	20,0	H07RN-F 4G 2.5
	400/3L+N/50-60	12,6	34,6	H07RN-F 3G 6.0
6 GN 1/1 T	230/ L+N /50-60	7,3	31,7	H07RN-F 3G 4.0
	230/3L/50-60	7,3	19,8	H07RN-F 3G 2.5
	400/3L+N/50-60	7,3	11,4	H07RN-F 4G 1.5

## WATER CONNECTION



**A** Connection 3/4" treated water      **B** Drainage DN 40

### Water quality

- Temperature < 30°C
- Pressure from 150 to 400 kPa dynamic flow
- Hardness between 3° and 6° FH
- PH between 6,5 to 8,5
- Chlorides below 30 ppm
- Use of water softener and filter required